

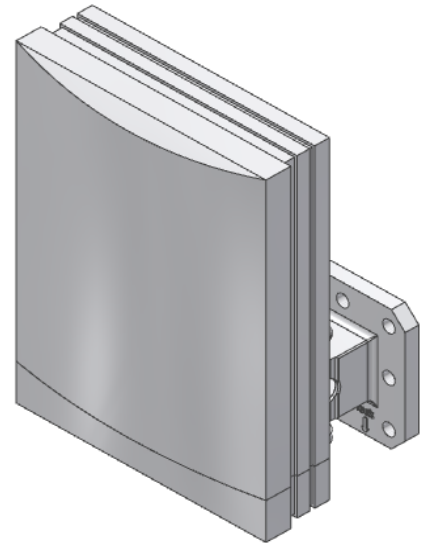
PCS & IMT & Wibro Patch Antenna

1750 ~ 2390 MHz / 7 dBi


PIW-SEPA-07

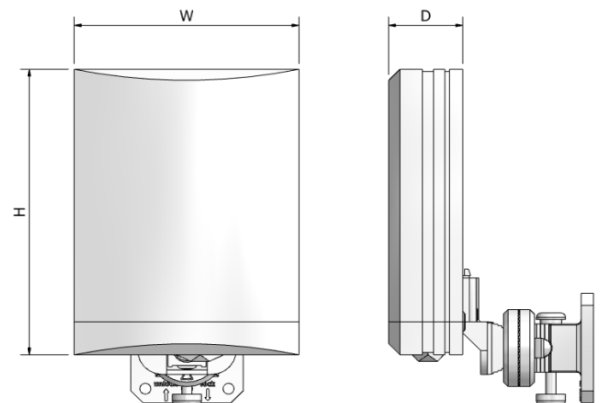
i. Electrical Specification

Frequency Range	1750 ~ 2390 MHz	
Polarization	Vertical	
Band Width	640 MHz	
Gain	≥ 7 dBi	
Beam width	Horizontal	≥ Nominal 60°
	Vertical	≥ Nominal 50°
F-B ratio	≥ 15 dB	
VSWR	1 : 1.4	
Impedance	50 Ω	
Maximum input power	≤ 10 W	

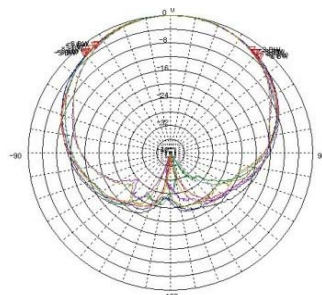


ii. Mechanical Specification

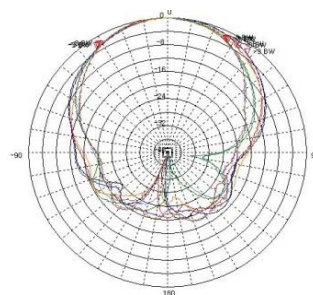
Radom Dimension (H x W x D)	125 x 101 x 33 mm	
Weight(Include bracket)	≤ 300 g	
Connector Type	N-Female	
Withstand Wind Pressure	60 m/sec	
Radome Material	ABS	
Radome Color	 Cool Gray 1C , 421C	
Mechanical Down Tilt	Up, Down ± 25°	
	Left, Right ± 30°	
Temperature	-40 °C ~ 70 °C	
Packing Size (H x W x D) 50SET	-	
Packing Weight 50SET	-	



iii. Radiation Pattern



Horizontal Pattern



Vertical Pattern